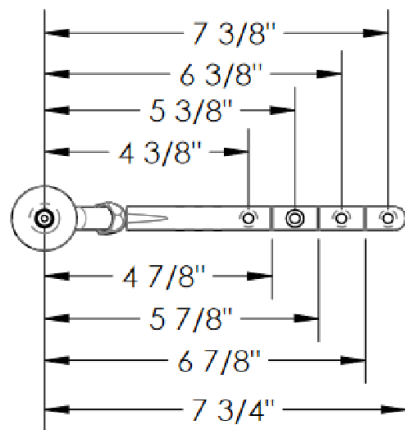
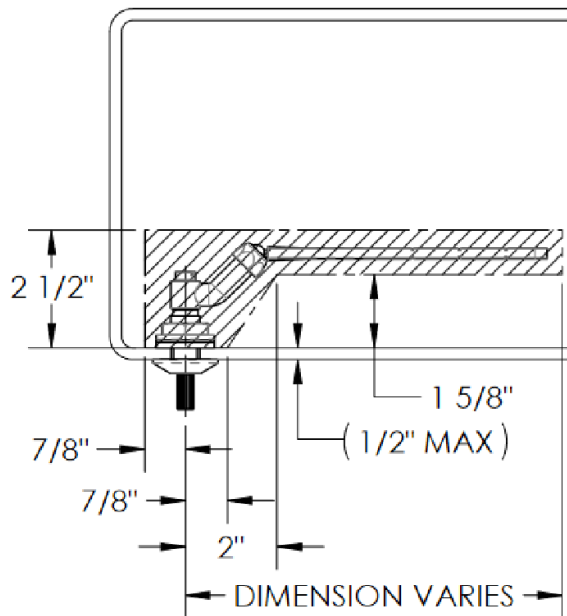


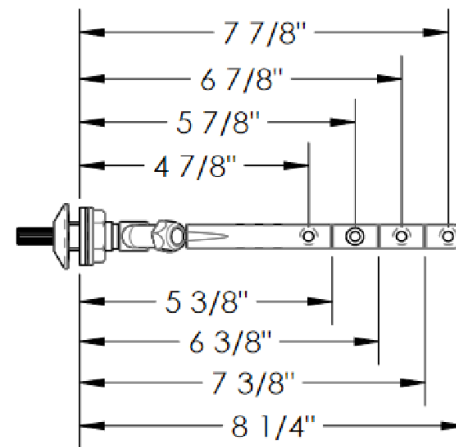
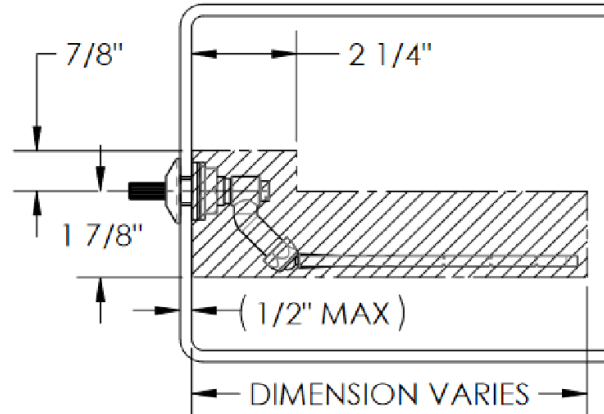


MINIMUM
CLEARANCE AREA

FRONT MOUNT



SIDE MOUNT



THE NANZ COMPANY

121 VARICK ST NEW YORK 10013
212 367 7000 FAX 212 367 7375
WWW.NANZ.COM

PRODUCT: Toilet Trip Lever Required Clearances; Front or Side Mount

COMPONENT: Template Drawing

FILE NAME: Nanz Toilet Lever - Required Clearances

CATALOG NUMBER: AQ

DRAWN: RS

CHECKED: RS

DATE: 09-02-21

DATE: 09-02-21

REV: 1.0

SCALE: 1:1

SHEET: 1 of 1