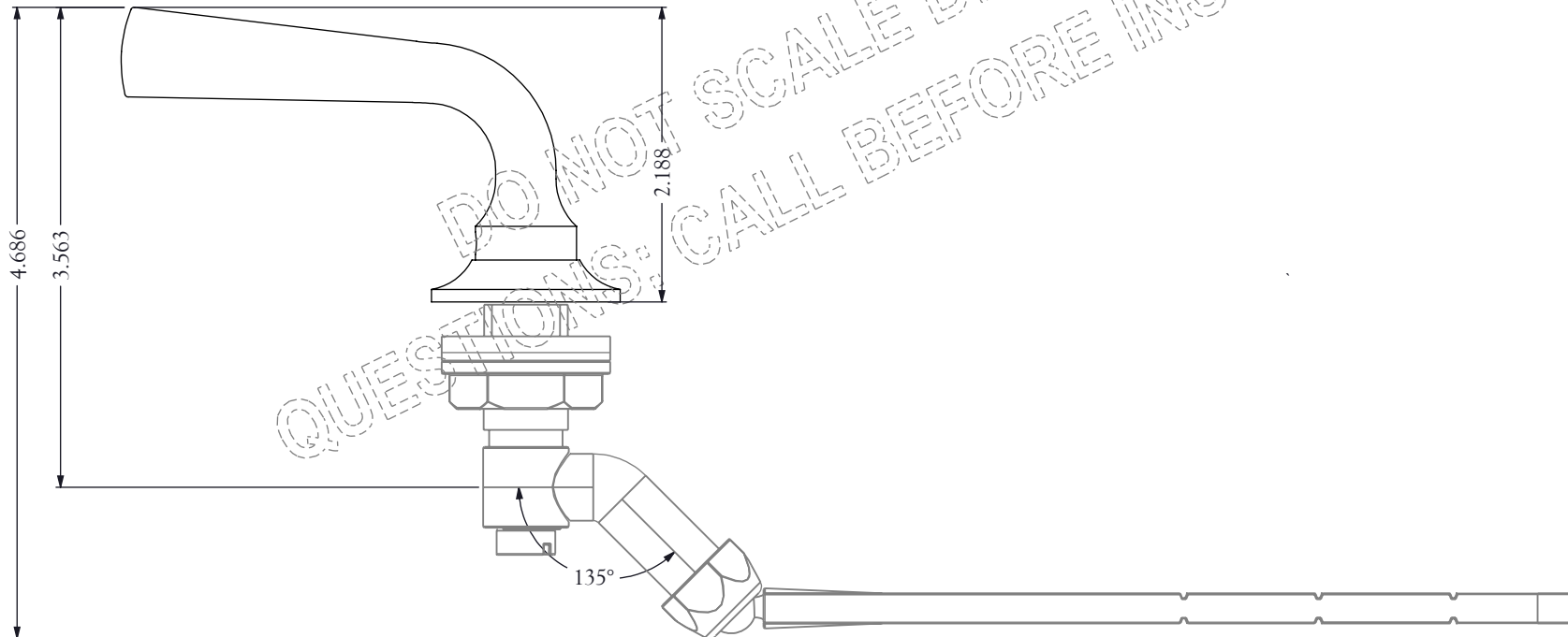
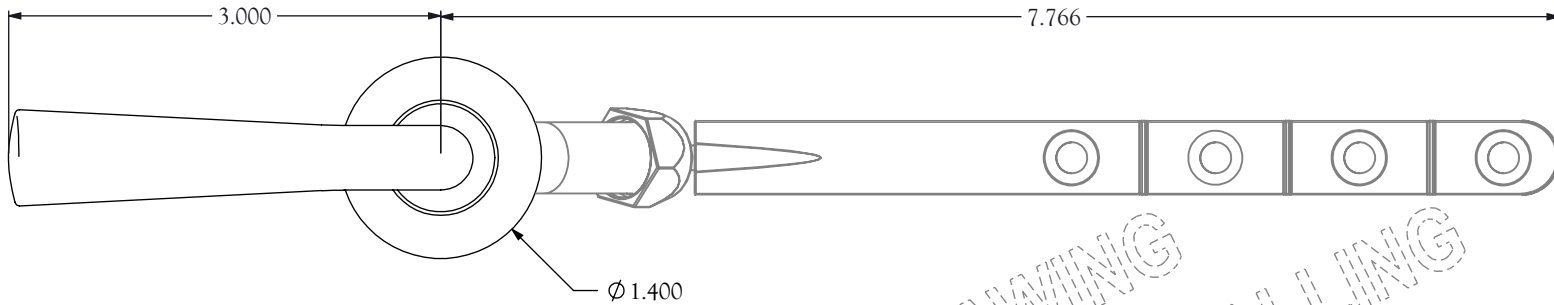


NANZ

FITS MOST TOILETS
CHECK REQUIRED CLEARANCES ON SHEET 2
TO CONFIRM COMPATIBILITY WITH TOILET.



THE NANZ COMPANY

121 VARICK ST NEW YORK 10013
212 367 7000 FAX 212 367 7375
WWW.NANZ.COM

PRODUCT: Atlantic Toilet Trip Lever

COMPONENT: Template Drawing

FILE NAME: AQ-AT-6.1.1-2017 r1.0

CATALOG NUMBER: AQ

DRAWN: RS

CHECKED: RS

DATE: 01-02-24

DATE: 01-02-24

REV: 1.0

SCALE: 3:4

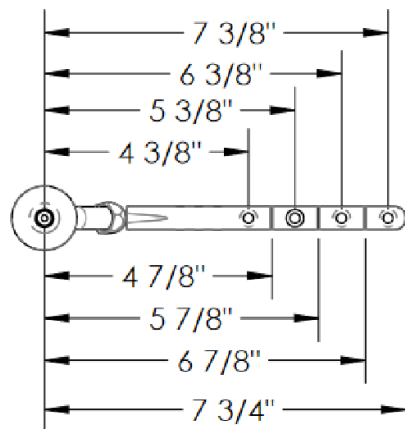
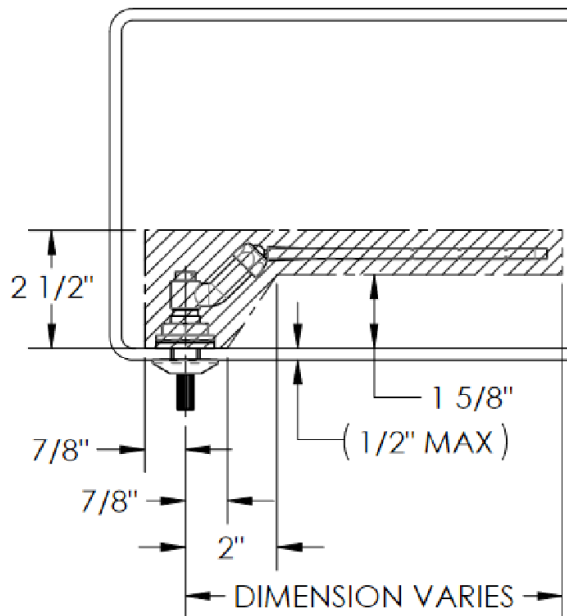
SHEET: 1 of 2

UNLESS OTHERWISE SPECIFIED, MATERIAL IS BRASS, LENGTHS ARE IN INCHES, ANGLES ARE DEGREE. TOLERANCE: FRACTIONS $\pm 1/32$, .XXX \pm .005, .XX \pm .01, ANGLES $\pm 1^\circ$; HOLE DIAMETERS +.003/-0.002; CONCENTRICITY .005 TOTAL INDICATOR READING.

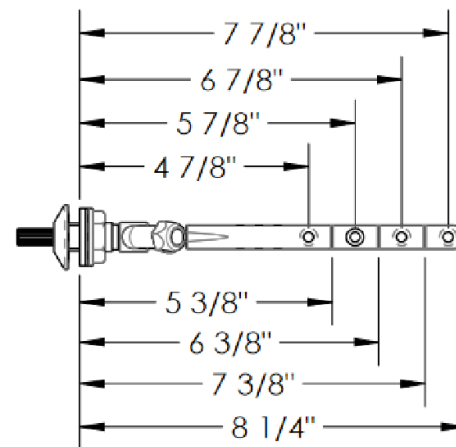
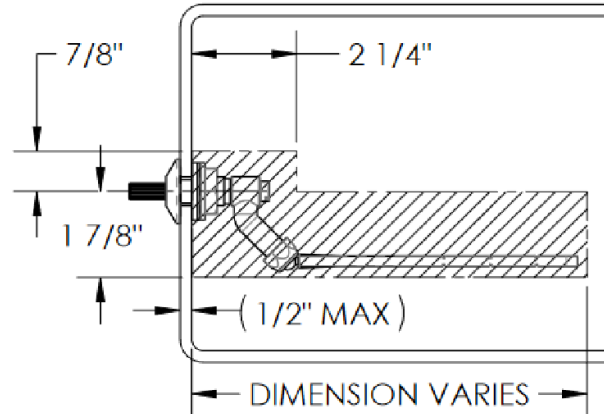


MINIMUM
CLEARANCE AREA

FRONT MOUNT



SIDE MOUNT



THE NANZ COMPANY

121 VARICK ST NEW YORK 10013
212 367 7000 FAX 212 367 7375
WWW.NANZ.COM

PRODUCT: Atlantic Toilet Trip Lever

COMPONENT: Template Drawing

FILE NAME: AQ-AT-6.1.1-2017 r1.0

CATALOG NUMBER: AQ

DRAWN: RS

CHECKED: RS

DATE: 01-02-24

DATE: 01-02-24

REV: 1.0

SCALE: 1:1

SHEET: 2 of 2