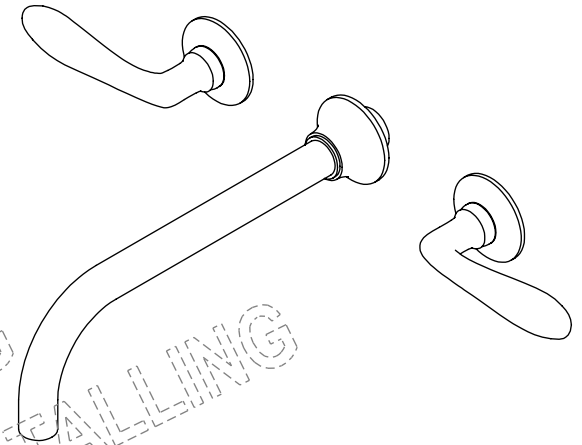
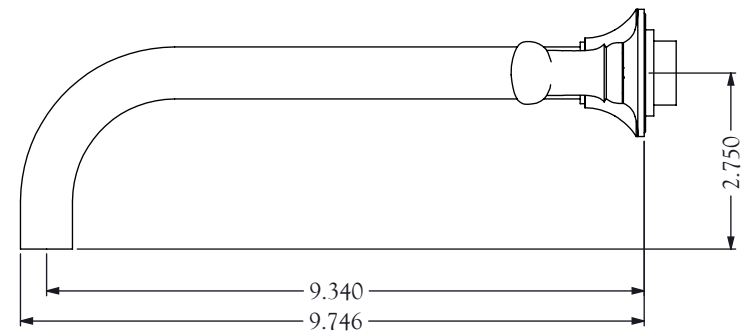
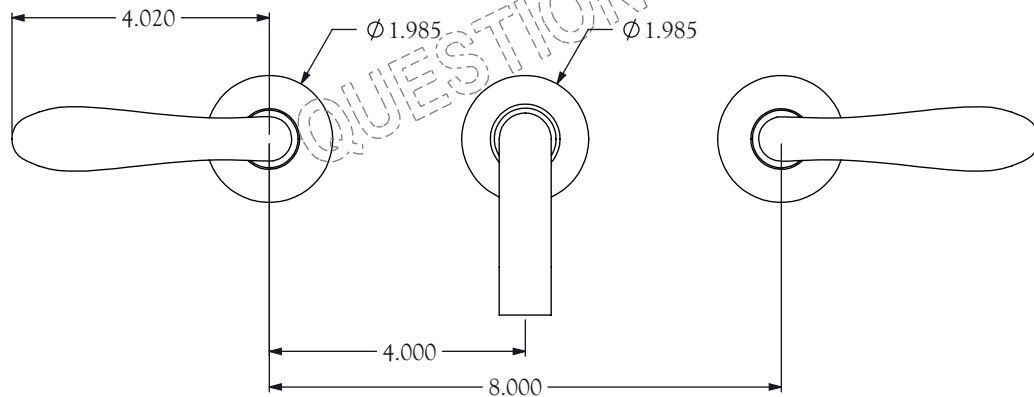
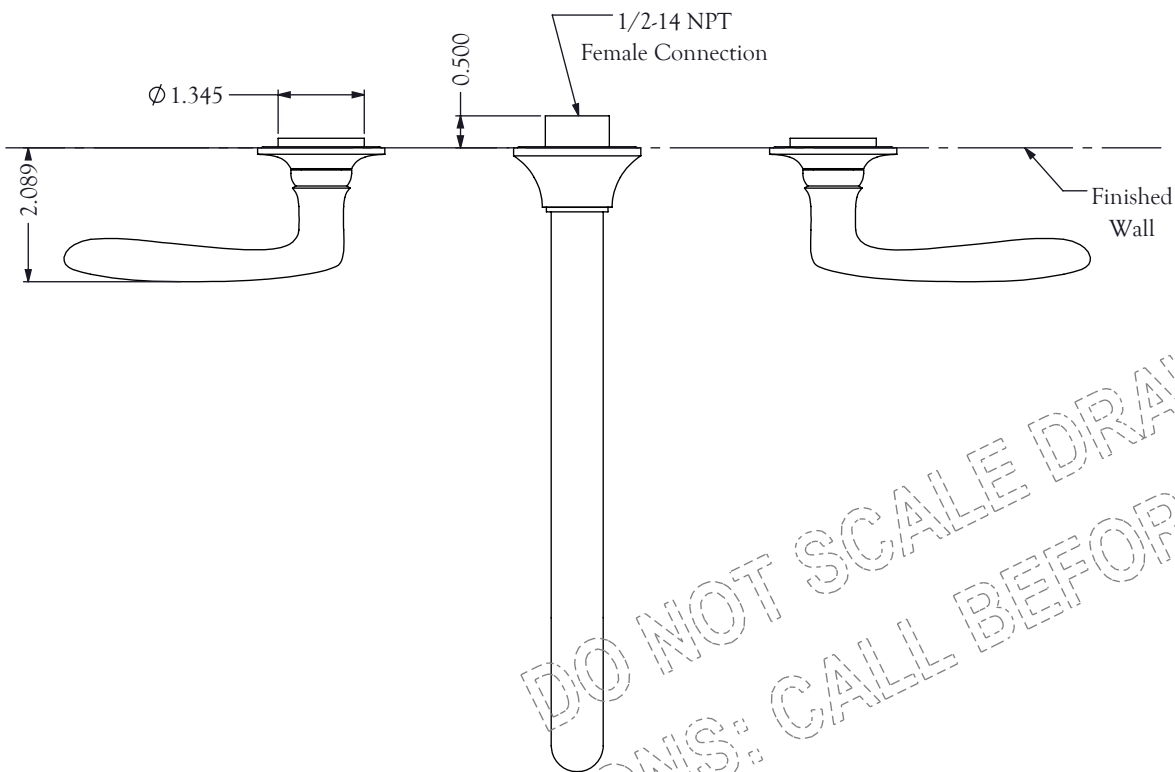


# NANZ



DO NOT SCALE DRAWING  
 QUESTIONS: CALL BEFORE INSTALLING

**THE NANZ COMPANY**

121 VARICK ST NEW YORK 10013  
 212 367 7000 FAX 212 367 7375  
 WWW.NANZ.COM

**PRODUCT:** Atlantic Wall Mount Basin Spout

**COMPONENT:** Template Drawing

**FILE NAME:** AQ-AT-2.2-2004 r1.0

**CATALOG NUMBER:** AQ

**DRAWN:** RS

**CHECKED:** RD

**DATE:** 12-29-23

**DATE:** 01-03-24

**REV:** 1.0

**SCALE:** 1:3

**SHEET:** 1 of 1

UNLESS OTHERWISE SPECIFIED, MATERIAL IS BRASS, LENGTHS ARE IN INCHES, ANGLES ARE DEGREE. TOLERANCE: FRACTIONS ±1/32, .XXX±.005, .XX±.01, ANGLES ±1°; HOLE DIAMETERS +.003/-0.002; CONCENTRICITY .005 TOTAL INDICATOR READING.