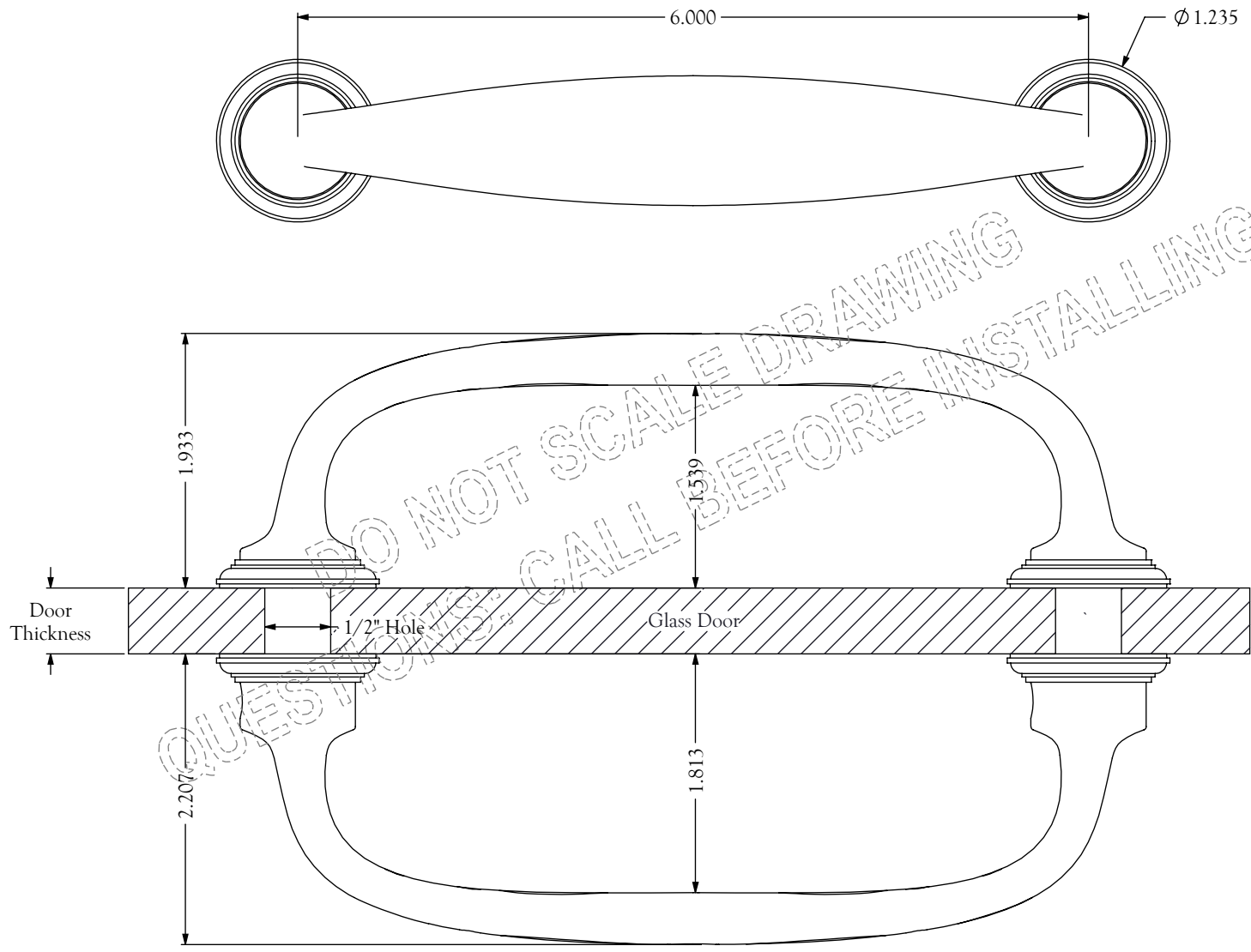


# NANZ



**THE NANZ COMPANY**  
 121 VARICK ST NEW YORK 10013  
 212 367 7000 FAX 212 367 7375  
 WWW.NANZ.COM

<b>PRODUCT:</b> Atlantic Shower Door Pull Set		<b>CATALOG NUMBER:</b> AQ		<b>REV:</b> 1.0
<b>COMPONENT:</b> Template Drawing		<b>DRAWN:</b> RS	<b>DATE:</b> 09-09-24	<b>SCALE:</b> 4:5
<b>FILE NAME:</b> AQ-AT-0.24.6 r1.0		<b>CHECKED:</b> RS	<b>DATE:</b> 09-09-24	<b>SHEET:</b> 1 of 1

UNLESS OTHERWISE SPECIFIED, MATERIAL IS BRASS, LENGTHS ARE IN INCHES, ANGLES ARE DEGREE. TOLERANCE: FRACTIONS ±1/32, .XXX±.005, .XX±.01, ANGLES ±1°; HOLE DIAMETERS +.003/-0.002; CONCENTRICITY .005 TOTAL INDICATOR READING.