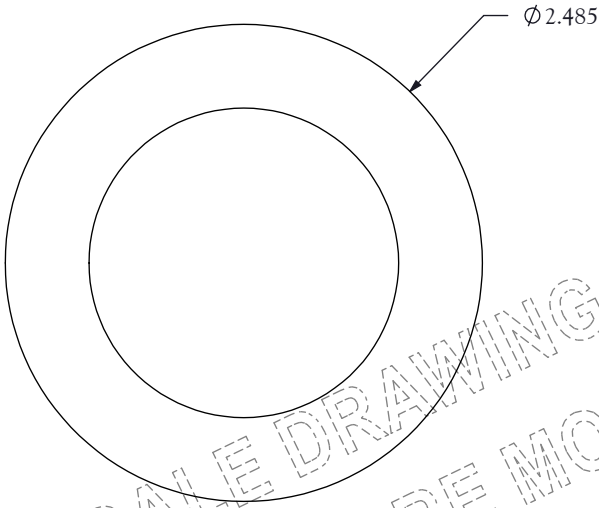
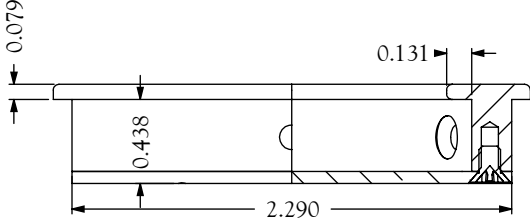


SCALE 1 : 2

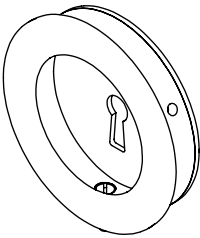


DO NOT SCALE DRAWING
QUESTIONS: CALL BEFORE MORTISING

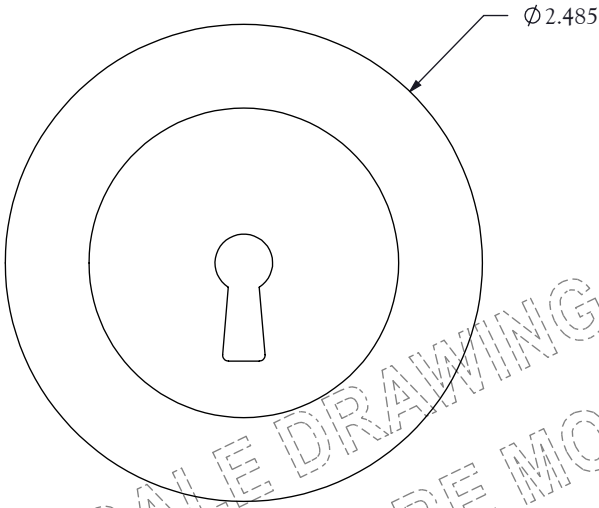


THE NANZ COMPANY 121 VARICK ST NEW YORK 10013 212 367 7000 FAX 212 367 7375 WWW.NANZ.COM		PRODUCT: 2-1/2" Modern Circular Recessed Pull with Wide Flat Face		
DRAWN: JG		DATE: 08-20-03	COMPONENT: Template Drawing	REV: 2.0
CHECKED: MLS		DATE: 04-04-07	FILE NAME: 6089 250 r2.0	SCALE: 1:1
CATALOG NUMBER: 6089		SHEET: 1 of 5		

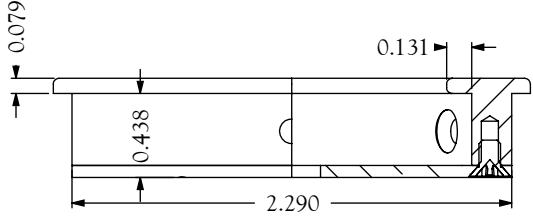
UNLESS OTHERWISE SPECIFIED, MATERIAL IS BRASS, LENGTHS ARE IN INCHES, ANGLES ARE DEGREE. TOLERANCE: FRACTIONS ±1/32, .XXX±.005, .XX±.01, ANGLES ±1°; HOLE DIAMETERS +.003/-.002; CONCENTRICITY .005 TOTAL INDICATOR READING.



SCALE 1 : 2

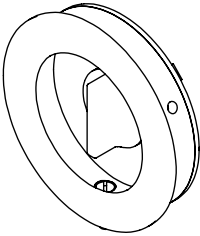


DO NOT SCALE DRAWING
QUESTIONS: CALL BEFORE MORTISING

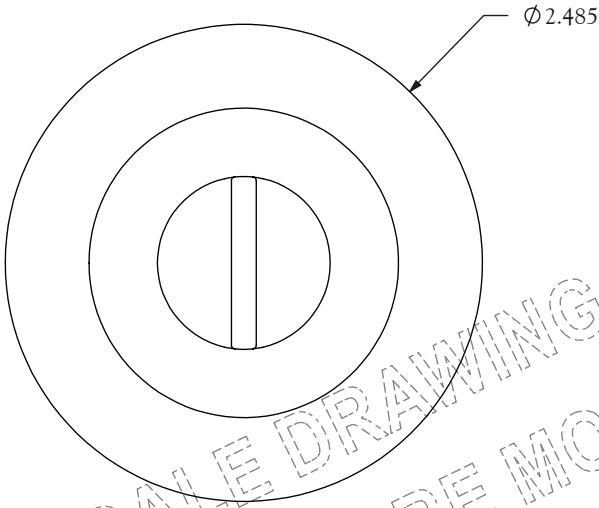


THE NANZ COMPANY 121 VARICK ST NEW YORK 10013 212 367 7000 FAX 212 367 7375 WWW.NANZ.COM		PRODUCT: 2-1/2" Modern Circular Recessed Pull with Wide Flat Face		
DRAWN: JG		DATE: 08-20-03	COMPONENT: Keyhole Template Drawing	REV: 2.0
CHECKED: MLS		DATE: 04-04-07	FILE NAME: 6089 250 r2.0	SCALE: 1:1
CATALOG NUMBER: 6089		SHEET: 2 of 5		

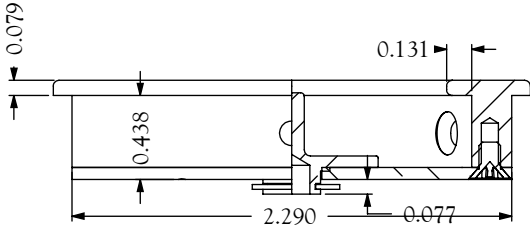
UNLESS OTHERWISE SPECIFIED, MATERIAL IS BRASS, LENGTHS ARE IN INCHES, ANGLES ARE DEGREE. TOLERANCE: FRACTIONS ±1/32, .XXX±.005, .XX±.01, ANGLES ±1°; HOLE DIAMETERS +.003/-.002; CONCENTRICITY .005 TOTAL INDICATOR READING.



SCALE 1 : 2



DO NOT SCALE DRAWING
QUESTIONS: CALL BEFORE MORTISING



THE NANZ COMPANY 121 VARICK ST NEW YORK 10013 212 367 7000 FAX 212 367 7375 WWW.NANZ.COM		PRODUCT: 2-1/2" Modern Circular Recessed Pull with Wide Flat Face		
DRAWN: JG		DATE: 08-20-03	COMPONENT: Thumbturn Template Drawing	REV: 2.0
CHECKED: MLS		DATE: 04-04-07	FILE NAME: 6089 250 r2.0	SCALE: 1:1
CATALOG NUMBER: 6089		SHEET: 3 of 5		

UNLESS OTHERWISE SPECIFIED, MATERIAL IS BRASS, LENGTHS ARE IN INCHES, ANGLES ARE DEGREE. TOLERANCE: FRACTIONS $\pm 1/32$, .XXX ± 0.05 , .XX ± 0.01 , ANGLES $\pm 1^\circ$; HOLE DIAMETERS $+0.03/-0.02$; CONCENTRICITY .005 TOTAL INDICATOR READING.