

Lockset Installation and Handle Alignment

Description: Installation of Lockset

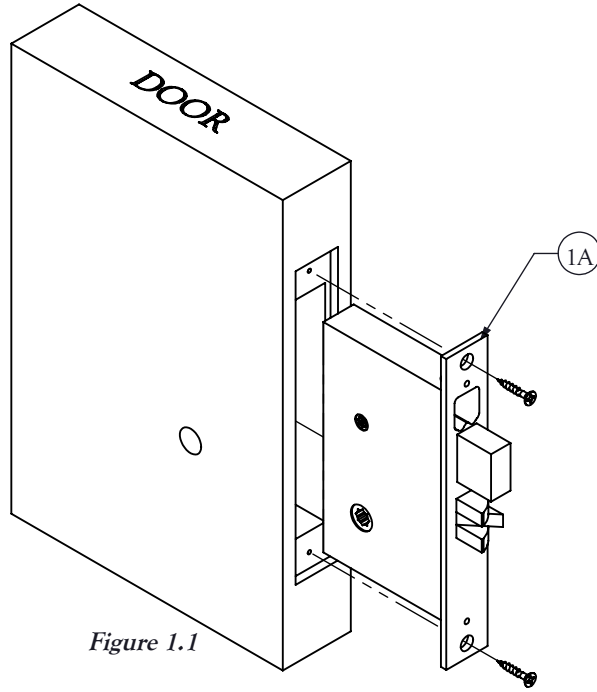


Figure 1.1

**Step 1:** Mortise the door for the Lockset. Follow the templates for your specific lockset model to determine the size, location, and number of prep holes for the door face. Lockset should be an easy sliding fit in mortise.

**Note to Installer:**

- When mortising the door, confirm mortise is parallel to interior and exterior faces of the door.

- Armor Front (1A) can angle 2° to the left or right to accommodate doors with beveled edges. This can be adjusted by loosening the top and bottom screws behind the armor front. Do not mortise perpendicular to a beveled door edge.

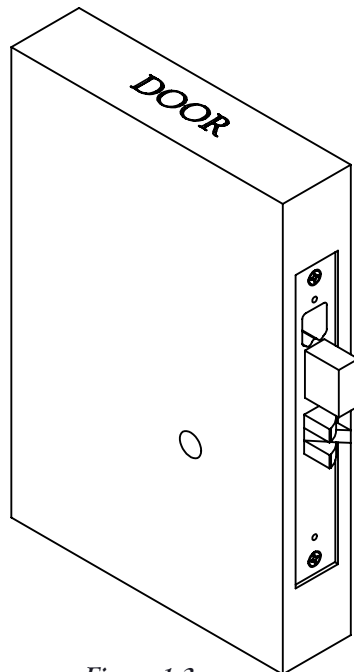


Figure 1.2

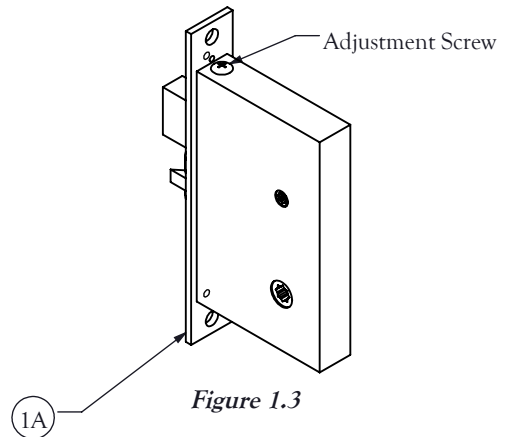


Figure 1.3

Lockset Installation and Handle Alignment

**Description:** Installation of Subrose

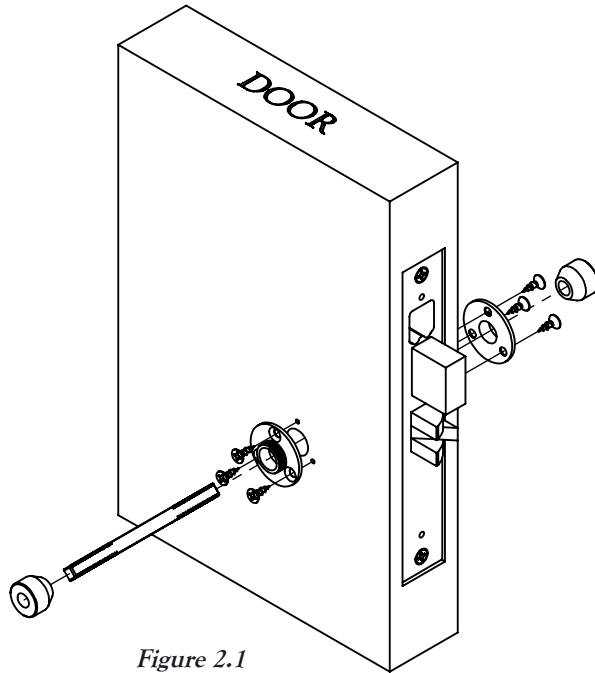


Figure 2.1

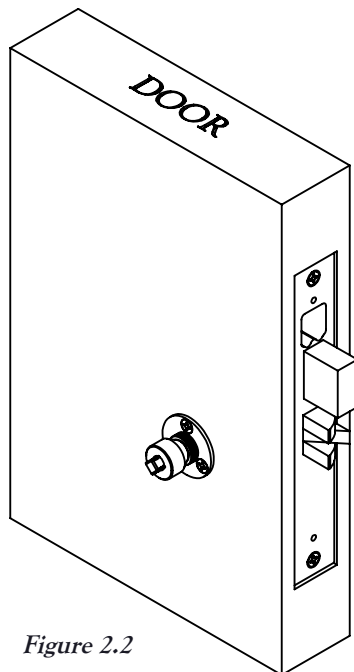


Figure 2.2

**Step 2:** Insert the Spindle portion of the Alignment Tool. Refer to Figure 2.1 and 2.2.

**Step 3:** Roses with concealed fasteners are typically installed with a subrose. Escutcheons or Roses with exposed fasteners do not require one. Slide the subrose, or surface mounted trim over each end of the Alignment Spindle.

**Step 4:** Attach the Alignment Nuts. Place one nut onto each end of the spindle with the tapered side pointing towards the door.

**Step 5:** Face the edge of the door and, while looking at both ends of the Alignment Tool, tighten the nuts. While tightening, make sure that the Alignment Spindle stays perpendicular to the face of the door by looking at it from eye level and from above. Ensure the tapered portion enters the Subrose. Loosen and re-tighten assembly once to make sure there is no binding, checking that the spindle remains perpendicular to the door face.

**Step 6:** Drill the pilot holes in each screw hole on the Subrose or trim. Drilled holes must be exactly on center with holes in Subrose or trim.

**Step 7:** Mount the Subrose using the provided #8 Screws.

**Step 8:** Remove the Alignment Tool