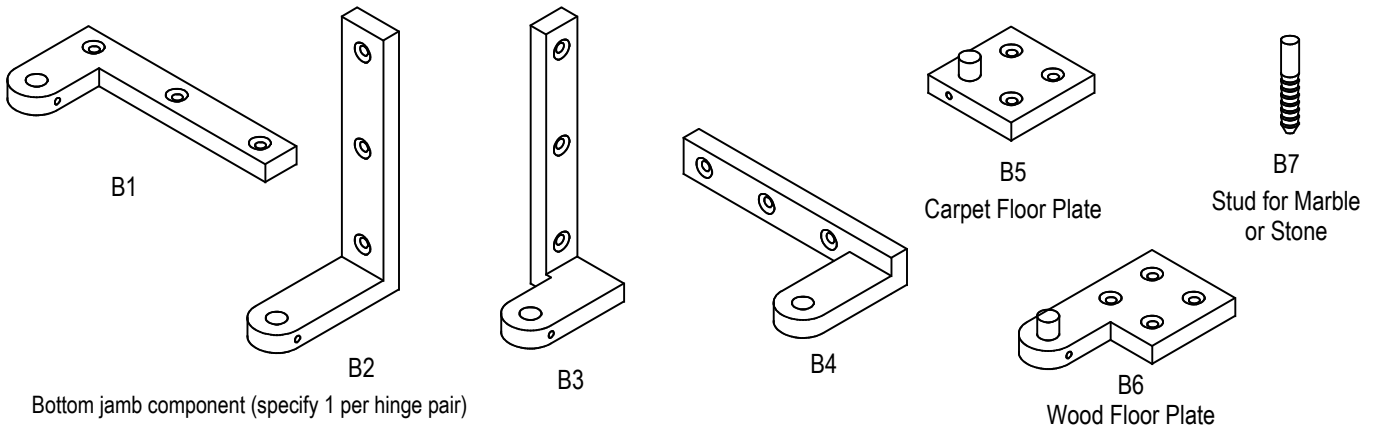
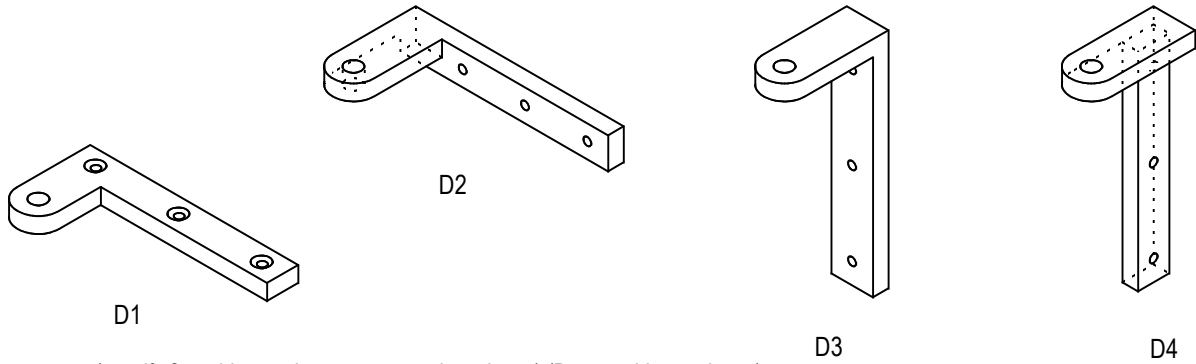
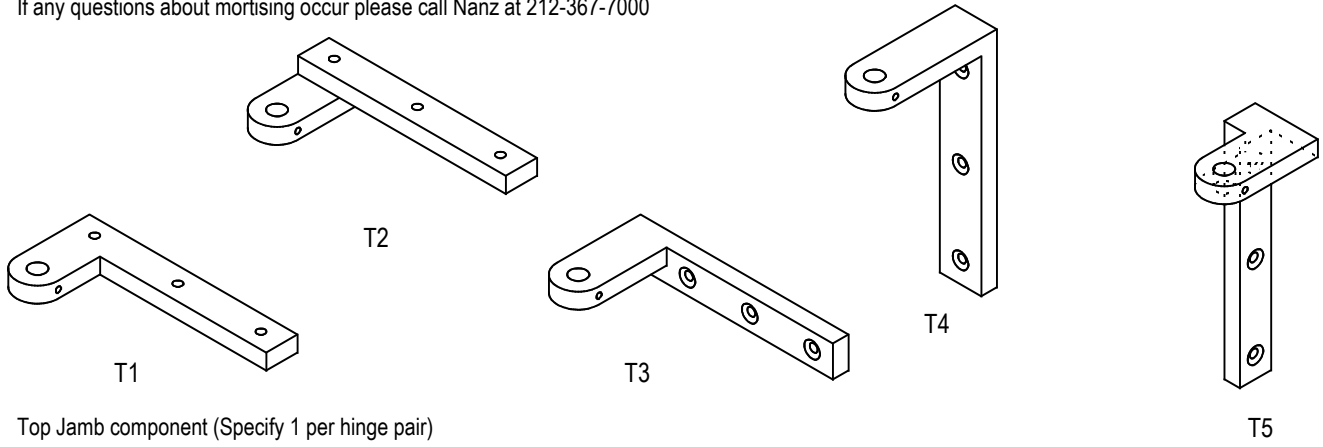


If any questions about mortising occur please call Nanz at 212-367-7000



**When ordering Off Set Pivot Hinges, specify pairs as follows:**

Door Hand: RH, LH, RHRB, LHRB  
 Top Jamb Component /Upper Door Component  
 Bottom Jamb Component / Lower Door Component

For example: (T1/D1 - B1/D1) RH  
 Also include door thickness, door weight, height, and gap between door and jamb and under cut

**Do not scale drawing**

Questions- Call before mortising 212-367-7000



© Nanz Custom Hardware Inc  
 20 Vandam St, New York, NY 10013  
 Tel 212 367 7000 Fax 212 367 7375

Product: 3019 Offset Pivot Hinge Options

Revision: 0

Component: Template

File Name:  
 3019 Options  
 Rev 1.0

Catalog Number: 3019

Drawn by: AS

Checked by:MLS

Scale: 1:4

Date: 03/21/05

Date: 03/21/05

Sheet: 1 of 1

Unless otherwise specified, all dim are in inches, material is Brass, tolerances: machines features fraction +/- 1/64, Decimal .XXX +/- .0005, .XXX +/- .005, Angular +/- 1 Degree, Screw Hole Dia +.003/- .002